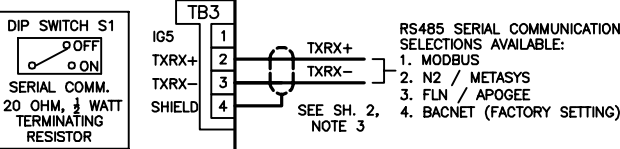
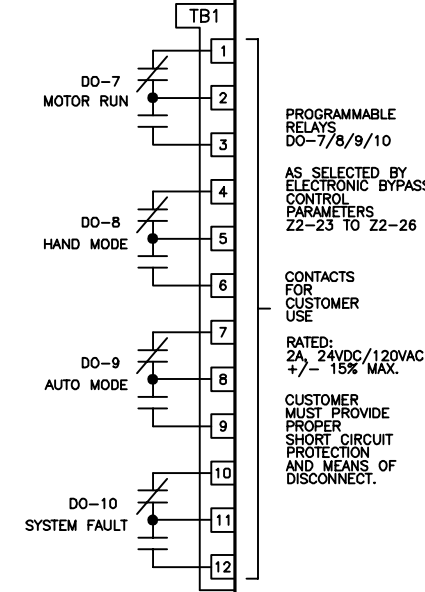
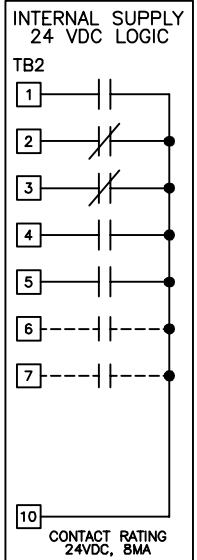


CONTROL TRANSFORMER PRIMARY CONNECTIONS			
INPUT VOLTS	TERMINALS		JUMPER LOCATION
	A	B	
208	(H1)	(H2)	NONE
460/480	(H1)	(H4)	(H2) TO (H3)



REVISIONS				
REV.	DESCRIPTION	ECO #	DRAWN BY	DATE
03	REMOVE TG & TH OPTIONS FROM P1000 BYPASS	12946	JZ	3/9/23
02	CHANGED REACTOR L4 TERMINAL DESIGNATORS	7695	R. ROH	11/16/17

YASKAWA

THIS DOCUMENT AND INFORMATION CONTAINED IN IT ARE CONFIDENTIAL, AND CANNOT BE COPIED OR DISCLOSED IN WHOLE OR IN PART WITHOUT THE EXPRESS WRITTEN CONSENT OF YASKAWA AMERICA INC.

DRAWN BY D. PACKER	DATE 2/22/14	TITLE SCHEMATIC DIAGRAM P1000 ELECTRONIC BYPASS
CHECKED BY D.R. CMELAK	DATE 2/24/14	SIZE D
APPROVED BY K. FLIERL	DATE 2/24/14	REVISION 03
ORIGINAL DESIGN BY D. PACKER	DATE 2/22/14	PAGE 1 of 2

HOA OPERATOR
PART NUMBER
JVOP-183

RS485 SERIAL COMMUNICATION SELECTIONS AVAILABLE:
1. MODBUS
2. N2 / METASYS
3. FLN / APOGEE
4. BACNET (FACTORY SETTING)

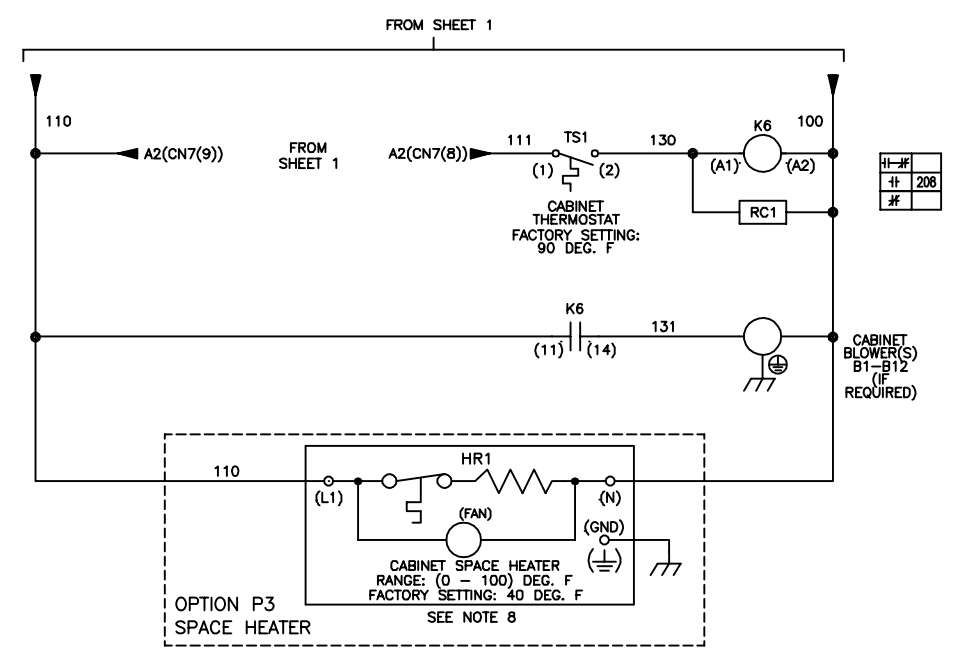
RJ45 PATCH CABLE

A
B
C
D
E
F
G
H
J
K

201
202
203
204
205
206
207
208
209
210
211
212
213
214
215
216
217
218
219
220
221
222
223
224
225
226
227
228
229
230
231
232
233
234
235
236
237
238
239
240
241

NOTES:

1. CUSTOMER TO CONNECT THE CABINET GROUND LUGS TO EARTH GROUND AND UTILITY GROUND.
2. CONDUIT FITTINGS/HUBS SHALL COMPLY WITH THE 'STANDARD FOR CONDUIT, TUBING, AND CABLE FITTINGS, UL 514B'. OR CONDUIT FITTINGS HAVING THE SAME ENVIRONMENTAL RATING AS THE ENCLOSURE SHALL BE USED.
3. INSULATED TWISTED SHIELDED WIRE IS REQUIRED. SHIELD TO CONNECT TO PROPER TERMINAL AS SHOWN. CONNECT THE SHIELD ONLY AT THIS END. STUB AND ISOLATE THE OTHER END. DO NOT RUN THESE WIRES IN THE SAME CONDUIT AS THE AC POWER AND THE AC CONTROL WIRES.
4. WITH A CONTROL TRANSFORMER, T1, POWER RATING 350VA OR GREATER, SECONDARY FUSE F6 IS ADDED.
5. CHANGING Z1-01 TO "1" WILL PROGRAM THE DRIVE AND BYPASS PARAMETERS TO THEIR FACTORY DEFAULT SETTINGS.
6. FOR 208VAC APPLICATIONS, SET E1-01 TO 208, AND SET E1-05 TO 208.
7. THE MOTOR OVERLOAD RELAY IS FACTORY SET FOR MANUAL RESET. CUSTOMER TO ADJUST THE MOTOR OVERLOAD RELAY TRIP SETTING FOR THE ACTUAL AC MOTOR'S FULL LOAD AMPS.
8. CUSTOMER TO ADJUST THE THERMOSTAT ON THE SPACE HEATER HR1 FOR THE MINIMUM DESIRED TEMPERATURE INSIDE THE DRIVE CABINET. THIS SET TEMPERATURE IS NORMALLY SELECTED TO BE SLIGHTLY HIGHER THAN THE MINIMUM AMBIENT TEMPERATURE OF THE AIR SURROUNDING THE CABINET. AND IS THE TEMPERATURE AT WHICH THE SPACE HEATER HR1 WILL SHUT OFF.



YASKAWA	DRAWN BY: D. PACKER	DATE: 2/22/14	TITLE: SCHEMATIC DIAGRAM P1000 ELECTRONIC BYPASS
	CHECKED: D.R. CMELAK	DATE: 2/24/14	
	TECH:	DATE:	
	APPROVED: K. FLIERL	DATE: 2/24/14	SIZE: D
	ORIGINAL DESIGN: D. PACKER	DATE: 2/22/14	PAGE: 2 of 2
DRAWING#: DS.P1B.3R.02			